

TECHNICAL SUPPLEMENT

July 2008

Scyon™ Stria™ Cladding

ADJUSTING BOARD OVERLAP

INTRODUCTION

Scyon™ Stria™ cladding is a wide cladding board with a 15mm horizontal joint that has the classic appeal of decorative render. The boards are fixed horizontally and overlapped using a rebated ship lapped joint. Due to a variety of reasons including frame straightness, manufacturing variations and out of plumb wall openings such as windows and doors, there may be a need to adjust the gauge and level of the board. This technical supplement outlines instructions on adjusting the boards gauge to alter the level of the board on a timber frame.

This Technical Supplement must be read in conjunction with the current James Hardie Scyon Stria Installation Instructions. Additional installation information, warranties and warnings are available at www.jameshardie.com.au or Ask James Hardie™ on 13 11 03.

LIMITATIONS

The following installation instructions are for AS 4055 wind classifications N1,N2,N3 and C1 only. For higher wind loads, Ask James Hardie™ on 13 11 03.

INSTALLATION

Note: Although the following gauge adjustment installation instructions outline the concealed fixing method, the gauge of the boards can also be adjusted using the face fixing method. Refer to current Scyon Stria Installation Instructions for face fixing recommendations.

Installation of the Stria cladding requires the boards gauge and level to be planned for the entire house and checked regularly during install. A board's gauge may be adjusted by lifting the board by a maximum of 3mm, see Figure 1.

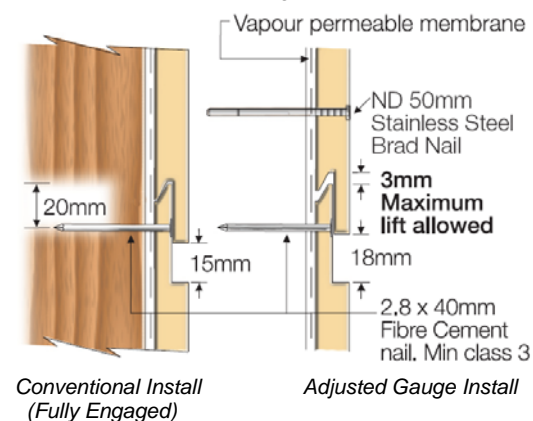


Figure 1: Maximum Gauge Adjustment

Ask James Hardie™

CUSTOMERLINK® SERVICE CENTRE

Call 13 11 03

www.jameshardie.com.au

Step 1: Calculate Adjustment

The required lap adjustment can be spread over many boards to create a less noticeable variation of gauge or if the adjustment is minor, the lap adjustment can be made over a few boards.

Step 2: Adjusting and Fixing the Boards to Frame

Once the board's gauge is adjusted, the boards are fixed to the timber frame using the following recommendations:

1. Increasing Gauge (Lifting boards):

Fix a 40 x 2.8mm FC minimum class 3 nail through the board's rebate and a 50mm x 14 gauge ND Stainless steel brad nail 50mm from the bottom of the board. This brad nail secures the bottom edge of the board to the frame, see figure 2.

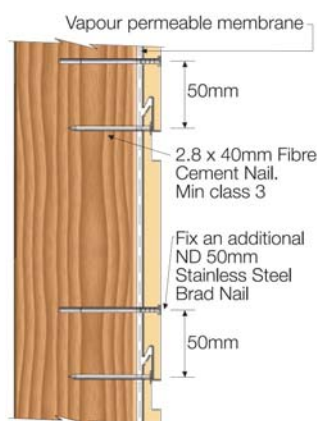


Figure 2: Increased Gauge

2. Tightening Gauge Spacing:

Ensure board lap is fully engaged as shown in Figure 1 by tapping down the top of the board using a minimum 200mm long off cut to spread the impact, see Figure 2.

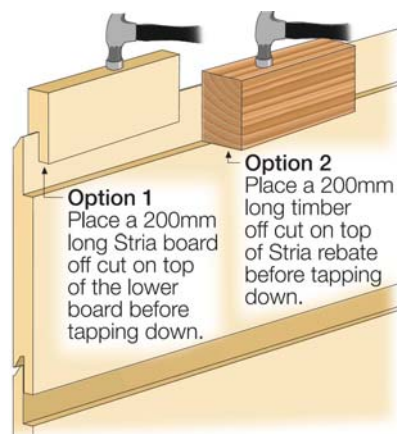


Figure 3: Tightening Gauge Spacing